

Revision A:

- Part number of "INDOOR COIL THERMISTOR" has been changed.

Please void OBB600.

INDOOR UNIT PARTS CATALOG

No. OBB600
REVISED EDITION-A

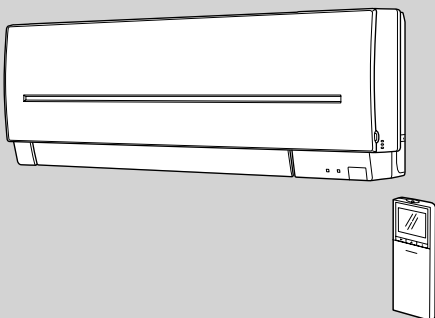
Models

MSZ-SF25VE - E1 MSZ-SF35VE - E1

MSZ-SF42VE - E1 MSZ-SF50VE - E1

MSZ-SF25VE - EN1 MSZ-SF35VE - EN1

MSZ-SF42VE - EN1 MSZ-SF50VE - EN1



CONTENTS

- | | |
|-------------------------|---|
| 1. RoHS PARTS LIST..... | 2 |
| 2. OPTIONAL PARTS..... | 7 |

SERVICE MANUAL (OBH600)

NOTE:

RoHS compliant products have <G> mark on the spec name plate.



Revision A:

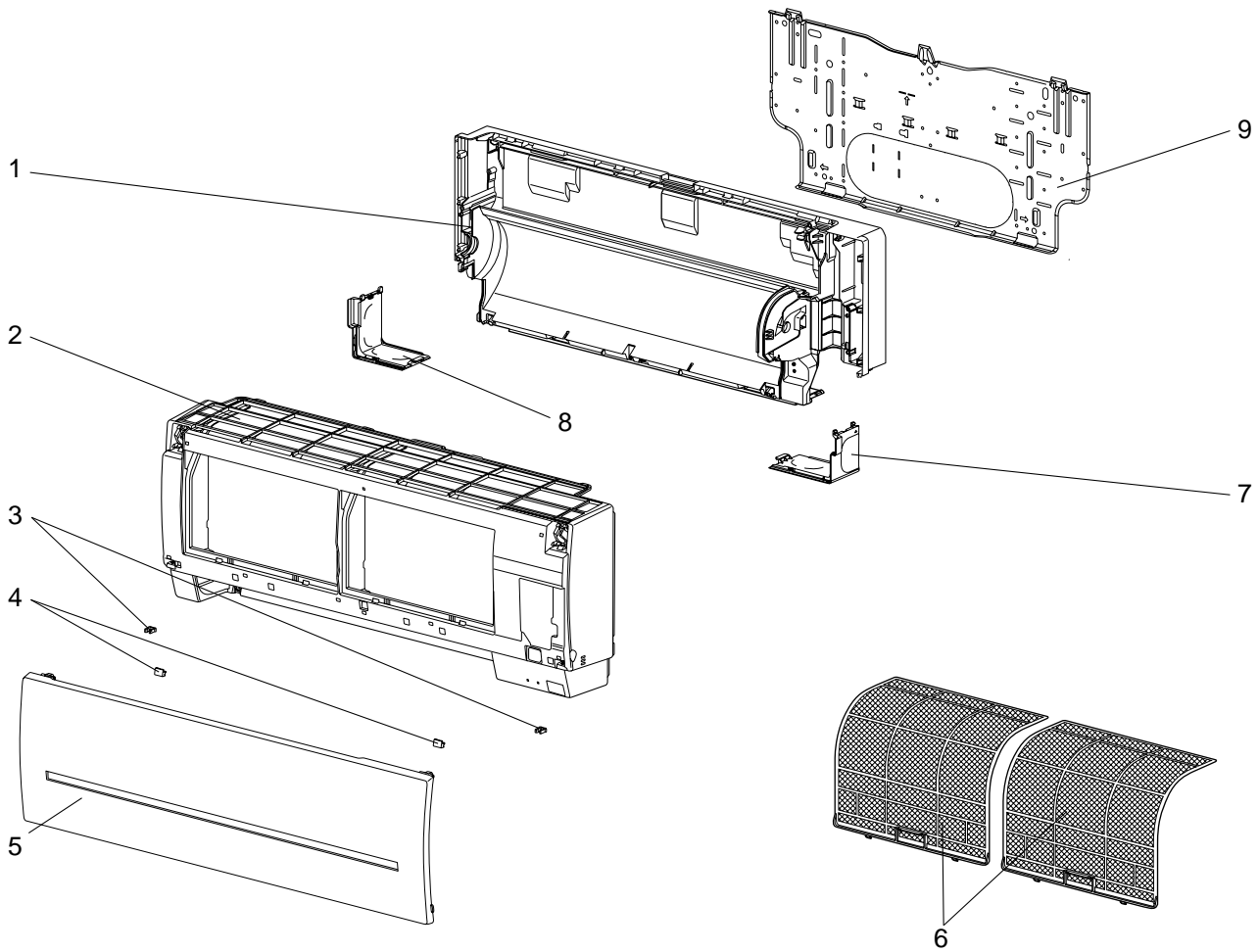
- Part number of "INDOOR COIL THERMISTOR" has been changed.

1

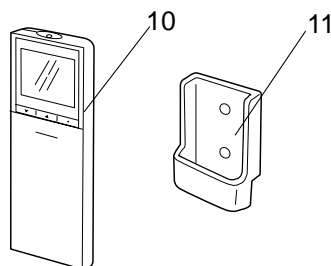
RoHS PARTS LIST

MSZ-SF25VE MSZ-SF35VE MSZ-SF42VE MSZ-SF50VE

1-1. INDOOR UNIT STRUCTURAL PARTS



1-2. ACCESSORY AND REMOTE CONTROLLER





1-1. INDOOR UNIT STRUCTURAL PARTS

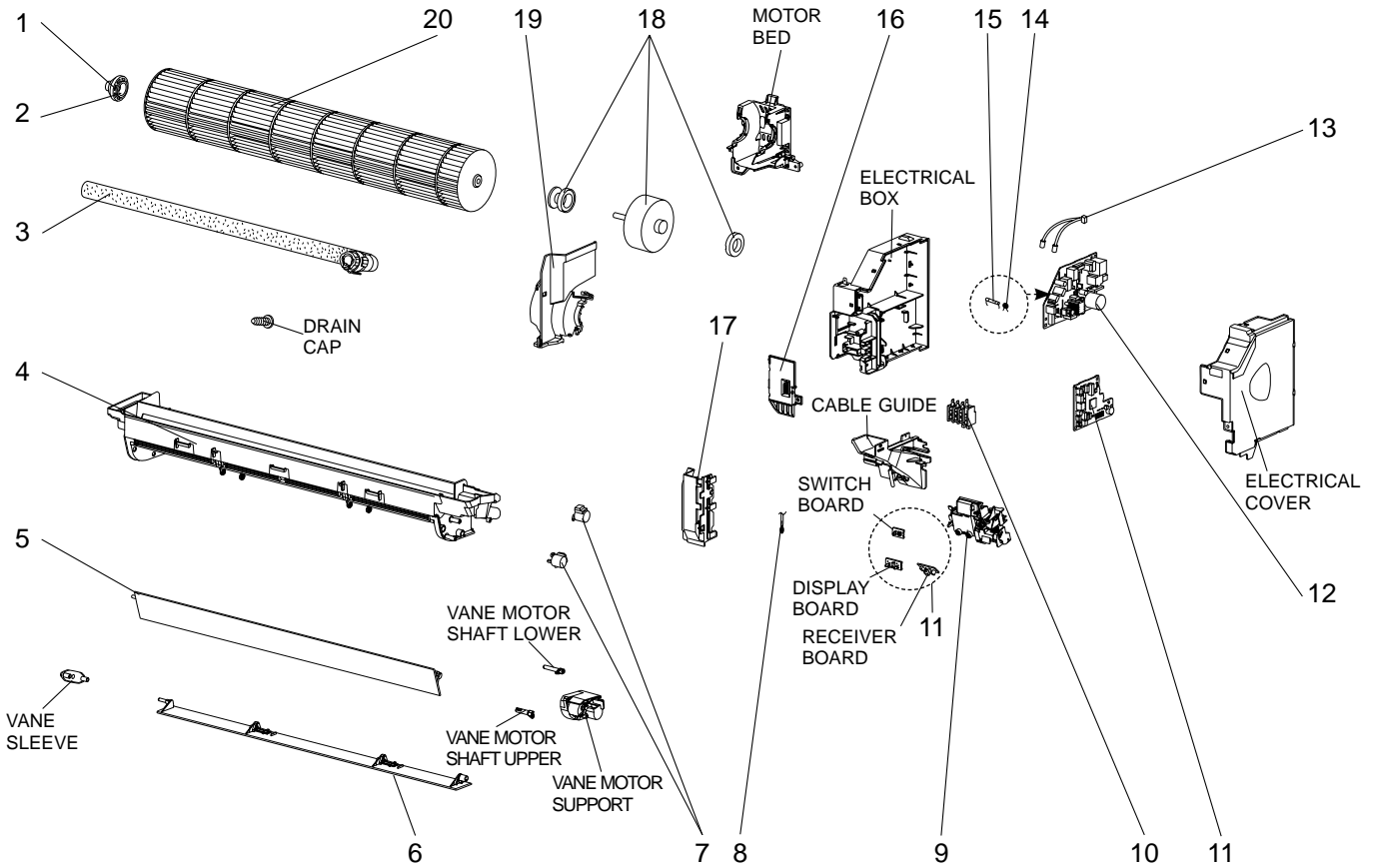
No.	RoHS	Part No.	Part name	Symbol in Wiring Diagram	Q'ty/unit								Remarks
					MSZ-SF								
					25		35		42		50		
					VE -E1	VE -EN1	VE -E1	VE -EN1	VE -E1	VE -EN1	VE -E1	VE -EN1	
1	G	E12 H14 234	BOX ASSEMBLY		1	1	1	1	1	1	1	1	
2	G	E12 H14 000	PANEL ASSEMBLY		1	1	1	1	1	1	1	1	Including No. 3,4,5
3	G	E12 F95 142	CATCH		2	2	2	2	2	2	2	2	2 PCS/SET
4	G	E12 913 067	SCREW CAP		2	2	2	2	2	2	2	2	2 PCS/SET
5	G	E12 H14 010	FRONT PANEL		1	1	1	1	1	1	1	1	
6	G	E12 H14 100	NANO PLATINUM FILTER		2	2	2	2	2	2	2	2	1 PC/SET
7	G	E12 H14 975	CORNER BOX RIGHT		1	1	1	1	1	1	1	1	
8	G	E12 H14 976	CORNER BOX LEFT		1	1	1	1	1	1	1	1	
9	G	E12 H14 970	INSTALLATION PLATE		1	1	1	1	1	1	1	1	

1-2. ACCESSORY AND REMOTE CONTROLLER

10	G	E12 F95 426	REMOTE CONTROLLER		1	1	1	1	1	1	1	1	SG11D
11	G	E12 F28 083	REMOTE CONTROLLER HOLDER		1	1	1	1	1	1	1	1	

MSZ-SF25VE MSZ-SF35VE MSZ-SF42VE MSZ-SF50VE

1-3. INDOOR UNIT ELECTRICAL PARTS AND FUNCTIONAL PARTS



1-3. INDOOR UNIT ELECTRICAL PARTS AND FUNCTIONAL PARTS

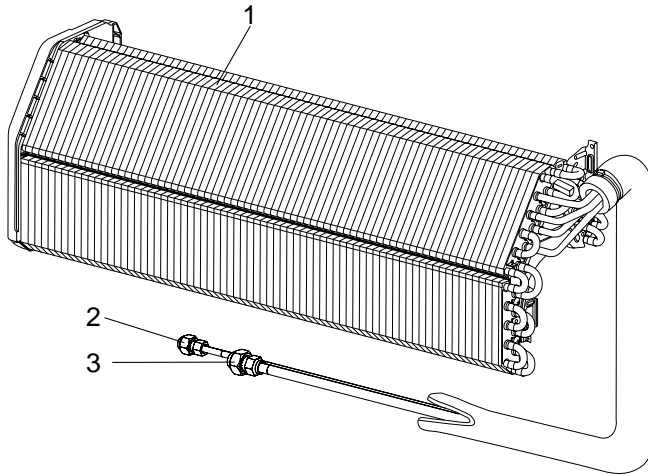
No.	RoHS	Part No.	Part name	Symbol in Wiring Diagram	Q'ty/unit								Remarks
					MSZ-SF								
					25		35		42		50		
VE -E1	VE -EN1	VE -E1	VE -EN1	VE -E1	VE -EN1	VE -E1	VE -EN1						
1	G	E12 751 509	BEARING MOUNT		1	1	1	1	1	1	1	1	
2	G	E12 001 504	SLEEVE BEARING		1	1	1	1	1	1	1	1	
3	G	E12 897 702	DRAIN HOSE		1	1	1	1	1	1	1	1	
4	G	E12 H14 235	NOZZLE ASSEMBLY		1	1	1	1	1	1	1	1	
5	G	E12 H14 040	VANE UPPER		1	1	1	1	1	1	1	1	
6	G	E12 H14 041	VANE LOWER		1	1	1	1	1	1	1	1	
7	G	E12 A89 303	VANE MOTOR	MV	2	2	2	2	2	2	2	2	UP & DOWN, 1 PC/SET
8	G	E12 H14 308	ROOM TEMPERATURE THERMISTOR	RT11	1	1	1	1	1	1	1	1	
9	G	E12 H14 095	DISPLAY P.C. BOARD HOLDER ASSEMBLY		1	1	1	1	1	1	1	1	
10	G	E12 F95 375	TERMINAL BLOCK	TB	1	1	1	1	1	1	1	1	
11	G	E12 H14 452	ELECTRONIC CONTROL P.C. BOARD ※1		1	1							
	G	E12 H15 452					1	1					
	G	E12 H16 452							1	1			
	G	E12 H17 452									1	1	
12	G	E12 H14 440	POWER P.C. BOARD		1	1			1	1			
	G	E12 H15 440					1	1			1	1	
13	G	E12 H14 307	INDOOR COIL THERMISTOR	RT12,RT13	1	1	1	1	1	1	1	1	
14	G	E12 B75 385	VARISTOR	NR11	1	1	1	1	1	1	1	1	
15	G	E12 A49 382	FUSE	F11	1	1	1	1	1	1	1	1	T3.15AL250V
16	G	E12 F95 784	V.A. CLAMP		1	1	1	1	1	1	1	1	
17	G	E12 H14 541	WATER CUT ASSEMBLY		1	1	1	1	1	1	1	1	
18	G	E12 H14 300	INDOOR FAN MOTOR ※2	MF	1	1	1	1	1	1	1	1	RC0J21-□□
19	G	E12 F95 333	MOTOR BAND		1	1	1	1	1	1	1	1	
20	G	E12 H14 302	LINE FLOW FAN		1	1	1	1	1	1	1	1	

※1 Including RECEIVER BOARD, DISPLAY BOARD and SWITCH BOARD.

※2 Including FAN MOTOR RUBBER MOUNT (2 PCS/SET)

MSZ-SF25VE MSZ-SF35VE MSZ-SF42VE MSZ-SF50VE

1-4. INDOOR UNIT HEAT EXCHANGER



No.	RoHS	Part No.	Part name	Symbol in Wiring Diagram	Q'ty/unit								Remarks
					MSZ-SF								
					25		35		42		50		
VE -E1	VE -EN1	VE -E1	VE -EN1	VE -E1	VE -EN1	VE -E1	VE -EN1						
1	G	E12 H14 620	INDOOR HEAT EXCHANGER		1		1		1				
	G	E12 H90 620				1		1		1			
	G	E12 H17 620									1		
	G	E12 H93 620										1	
2	G	E12 151 667	UNION (LIQUID)		1	1	1	1	1	1	1	1	ø6.35
3	G	E12 815 666	UNION (GAS)		1	1	1	1	1	1			ø9.52
	G	E12 155 666									1	1	ø12.7

2-1. AIR CLEANING FILTER (ELECTROSTATIC ANTI-ALLERGY ENZYME FILTER)**Every 3 months:**

- Remove dirt by a vacuum cleaner.

When dirt cannot be removed by vacuum cleaning:

- Soak the filter and its frame in lukewarm water before rinsing it.
- After washing, dry it well in shade. Install all tabs of the air filter.

Every year:

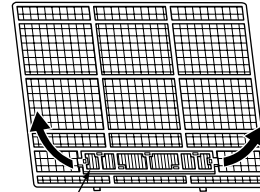
- Replace it with a new air cleaning filter for best performance.

NOTE 1: Clean the filters regularly for best performance and to reduce power consumption.

NOTE 2: Dirty filters cause condensation in the air conditioner which will contribute to the growth of fungi such as mold. It is therefore recommended to clean air filters every 2 weeks.

Model	Part No.
MSZ-SF25VE	MAC-2320FT
MSZ-SF35VE	
MSZ-SF42VE	
MSZ-SF50VE	

Pull to remove from the air filter



Air cleaning filter
(Electrostatic anti-allergy enzyme filter)

mitsubishi electric corporation

HEAD OFFICE: TOKYO BLDG., 2-7-3, MARUNOUCHI, CHIYODA-KU, TOKYO 100-8310, JAPAN

© Copyright 2011 MITSUBISHI ELECTRIC CORPORATION
Distributed in Jan. 2012. No.OBB600 REVISED EDITION-A
Distributed in Nov. 2011. No.OBB600
Made in Japan

New publication, effective Jan. 2012
Specifications are subject to change without notice.